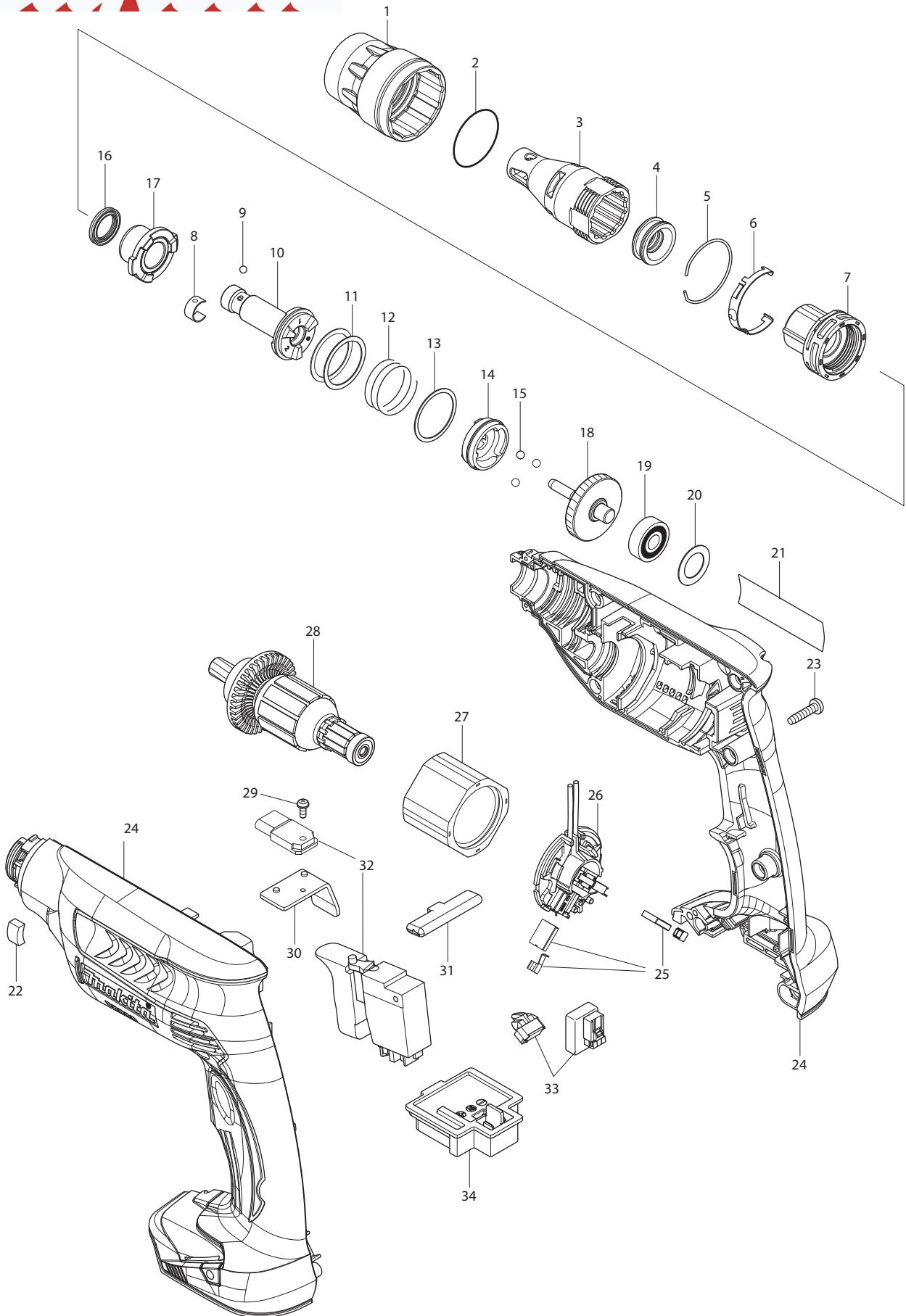




11 - 2013
DFS451RFE, DFS451Z, DFS451F
18V DRYWALL SCREWDRIVER



Item No	Type	Ref	R€	Part No	Description	Qty	Unit
1				450881-6	LOCK RING	1	PC.
2				424235-3	SEAL RING 30	1	PC.
3				158876-0	LOCATOR L COMPLETE	1	PC.
4				424163-2	DUST SEAL SLEEVE	1	PC.
5				234266-2	RING SPRING 33	1	PC.
6				232245-4	LEAF SPRING	1	PC.
7				141100-8	LOCATOR BASE COMPLETE	1	PC.
8				232050-9	LEAF SPRING	1	PC.
9				216001-0	STEEL BALL 3.5	1	PC.
10				140771-8	SPINDLE 125S COMPLETE	1	PC.
11				267331-2	FLAT WASHER 25	2	PC.
12				234017-3	COMPRESSEION SPRING 25	1	PC.
13				267332-0	FLAT WASHER 26	1	PC.
14				223170-0	CLUTCH CAM 125S	1	PC.
15				216008-6	STEEL BALL 4	3	PC.
16				213184-7	X-RING 14	1	PC.
17				142306-1	BEARING COMPLETE	1	PC.
18				140772-6	GEAR COMPLETE	1	PC.
19				211032-4	BALL BEARING 608ZZ	1	PC.
20				253192-6	FLAT WASHER 14	1	PC.
21				815G48-9	NAME PLATE F/DFS451	1	PC.
22				423413-2	RUBBER PLATE	1	PC.
23				265995-6	TAPPING SCREW 4X18	7	PC.
24				187854-3	HOUSING SET	1	SET
		INC.		263005-3	RUBBER PIN 6	2	PC.
		INC.		802Y67-2	CAUTION LABEL	1	PC.
25				195021-6	CARBON BRUSH CB-440 2PC/SET, W/ ORIGIN	1	SET
26				638748-0	BRUSH HOLDER COMPLETE	1	PC.
27				638426-2	YOKE UNIT	1	PC.
28				619277-2	ARMATURE	1	PC.
29				911006-2	PAN HEAD SCREW M3X8	1	PC.
30				689150-0	HEAT SINK	1	PC.
31				452516-5	F/R CHANGE LEVER	1	PC.
32				650657-3	SWITCH TG553FSB-9B	1	PC.
33				620030-1	LIGHT CIRCUIT	1	PC.
34				643852-2	TERMINAL	1	PC.
100				266622-8	+ TRUSS HEAD SCREW M4X12 (F/Hook)	1	PC.
101				652045-0	+ PAN HEAD SCREW M3.5X5 (F/Switch)	2	PC.

ACCESSORIES

- See catalogue or visit www.makita.ca for more accessories -

A02				-----	LI-ION BATTERY ACCESSORIES		
A03				784211-2	PHILLIPS INSERT BIT P-2(2-25)	2	PC.
				784212-0	PHILLIPS INSERT BIT 1-25	1	PC.
				784213-8	PHILLIPS INSERT BIT 3-25	1	PC.
A04				784801-1	MAGNETIC BIT HOLDER 6.35-76	1	PC.
				784807-9	MAGNETIC BIT HOLDER 6.35-60	1	PC.
A06				-----	BATTERY CHARGER		
A07				-----	18V LI-ION BATTERY		
A08				141490-9	PLASTIC CARRYING CASE COMPLETE	1	PC.
		INC.		162315-4	LATCH	2	PC.
		INC.		452137-3	HANDLE	1	PC.